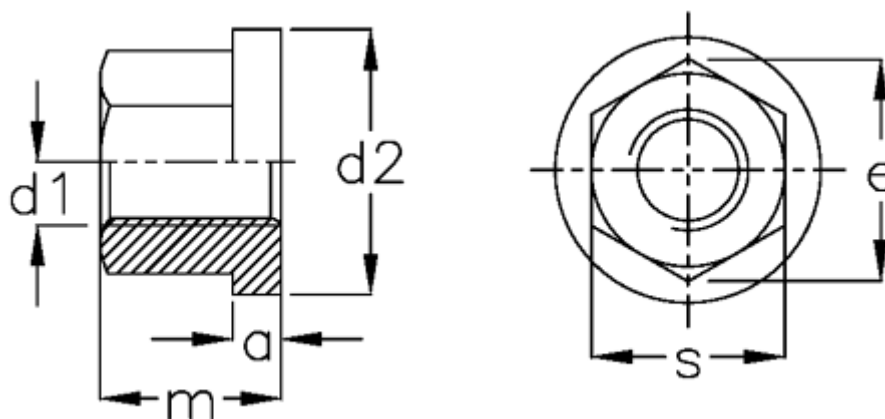


Article number: 20818515  
Description: E+G Collar nut  
DIN 6331-M20

## Measures



a = 6.0  
d1 = M20  
d2 = 37  
e = 34.6  
m = 30  
s = 30